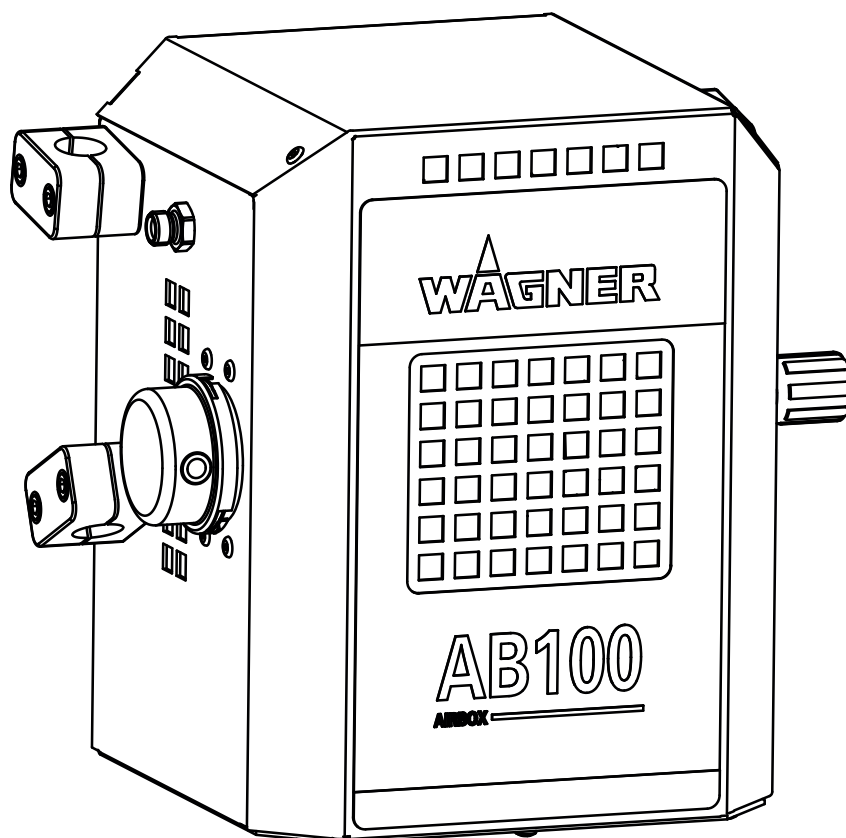


### AirBoost 100

<b>Druckluftkompressor</b>	<b>Betriebsanleitung</b>	<b>2</b>
<b>Air compressor</b>	<b>Operating manual</b>	<b>10</b>
<b>Compresseur à air comprimé</b>	<b>Mode d'emploi</b>	<b>17</b>
<b>Persluchtcompressor</b>	<b>Gebruikshandleiding</b>	<b>24</b>
<b>Compressore d'aria</b>	<b>Istruzioni per l'uso</b>	<b>31</b>
<b>Compresor de aire</b>	<b>Manual de instrucciones</b>	<b>38</b>
<b>Trykluftkompressor</b>	<b>Driftsvejledning</b>	<b>45</b>
<b>Tryckluftskompressor</b>	<b>Bruksanvisning</b>	<b>52</b>
<b>Compressor de ar comprimido</b>	<b>Manual de instruções</b>	<b>59</b>






## Translation of the original operating instructions

### Contents

<b>1</b>	<b>SAFETY REGULATIONS</b>	<b>11</b>
<b>2</b>	<b>DESCRIPTION OF UNIT</b>	<b>11</b>
2.1	Application	11
2.2	The advantages of the AirCoat method	11
2.3	Explanatory diagram	12
2.4	Technical data	12
<b>3</b>	<b>ASSEMBLY</b>	<b>13</b>
<b>4</b>	<b>STARTUP</b>	<b>13</b>
<b>5</b>	<b>SERVICING</b>	<b>14</b>
<b>6</b>	<b>ERSATZTEILE</b>	<b>14</b>
	Testing of the unit	15
	Important information on product liability	15
	Note on disposal	15
	Guarantee declaration	15
	CE - declaration	66
	European service network	68

#### Explanation of symbols used


	<p>This symbol indicates a potential danger for you or for the device.</p> <p>Under this symbol you can find important information on how to avoid injuries and damage to the device.</p>
	<p>Indicates tips for use and other particularly useful information.</p>
	<p><b>Attention! Hot surface</b></p> <p>Do not touch any surfaces marked with this icon during operation.</p>





## 1 SAFETY REGULATIONS


Read the Operating Manual carefully and observe the safety information before starting the device. The AirBoost 100 is an accessory to the SuperFinish 23 PLUS. Therefore, please also observe the safety information in this Operating Manual. Keep the Operating Manual in a safe place close to the device:

- All local safety regulations in force must be observed.
- Never direct a jet of compressed air towards people or animals!

 <b>Danger</b>	<p>Do not use the unit in work places which are covered by the explosion protection regulations. The unit is not designed to be explosion protected. Do not operate the device in explosive areas (zone 0, 1 and 2). Explosive areas are, for example, places where paints are stored and locations in direct proximity to the object being sprayed. Keep the device at least 3 m from the object you are spraying.</p>
--	---

 <b>Danger</b>	<p>The AirBoost 100 can generate extremely high temperatures as a result of the air compression. Do not touch the surface of the housing during operation and allow it cool down after it has been used. Do not close or block the air vents on the device. Prevent the air vents from becoming soiled (e.g. from overspray).</p>
	

- The permitted operating pressure of all air hoses, spray guns and accessories connected to the AirBoost 100 must be at least 0.4 MPa (4 bar).
- Check the device and any connected hoses thoroughly for damage before using.
- Replace damaged air hoses immediately.
- Never repair a faulty air hose yourself!
- Avoid sharp bends and folds: the smallest bending radius is about 20 cm.
- Do not drive over an air hose and protect it from sharp objects and edges.
- Never pull on an air hose in order to move the device.
- Never twist an air hose.
- Do not put the air hose into solvents. Use only a wet cloth to wipe down the outside of the hose.
- When laying the air hose make sure it cannot be tripped over.
- Use only original Wagner hoses and accessories with the device.
- The unit may only be connected to the mains network via a special feeding point with a residual-current device with  $INF \leq 30 \text{ mA}$ .
- Keep all safety stickers clean and legible.


 <b>Danger</b>	<p>Danger of short-circuits caused by water ingression!                  Never spray down the unit with high-pressure or high-pressure steam cleaners.</p>
--	--

- Disconnect the power cable before carrying out maintenance and repair work.
- Electrical repairs may only be carried out by a trained electrician. No liability is assumed for incorrect installation.

## 2 DESCRIPTION OF UNIT

### 2.1 APPLICATION

The AirBoost 100 is an electric piston compressor without a pressure tank. It was developed especially to operate an AirCoat gun with SuperFinish 23 PLUS.

	<p>The AirBoost 100 is only suitable for operating AirCoat guns with the green air cap.</p>
---	---

### 2.2 THE ADVANTAGES OF THE AIRCOAT METHOD

Its additional atomizer air evens out any irregularities in the spray pattern that can occur when the pressure setting is too low in airless methods. The sharp contoured edges of airless spraying are swirled away with the AirCoat spraying technique. The spray line is wider and softer. The disadvantage of airless atomisation at a low pressure setting highlights the advantage here that the coating material particles move at a low forward energy. This provides a low consumption of coating material and less loss of coating material.

Thanks to the minimal use of atomizer air, the impact on the environment is considerably smaller in comparison with air spraying.

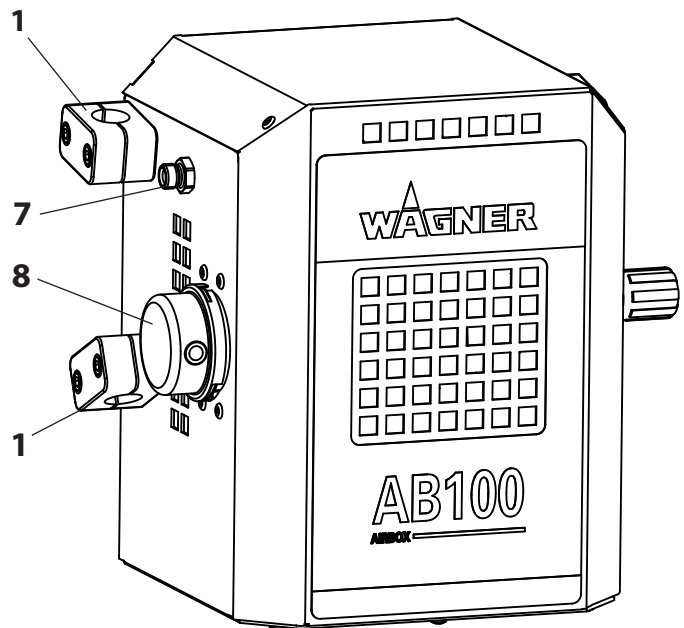
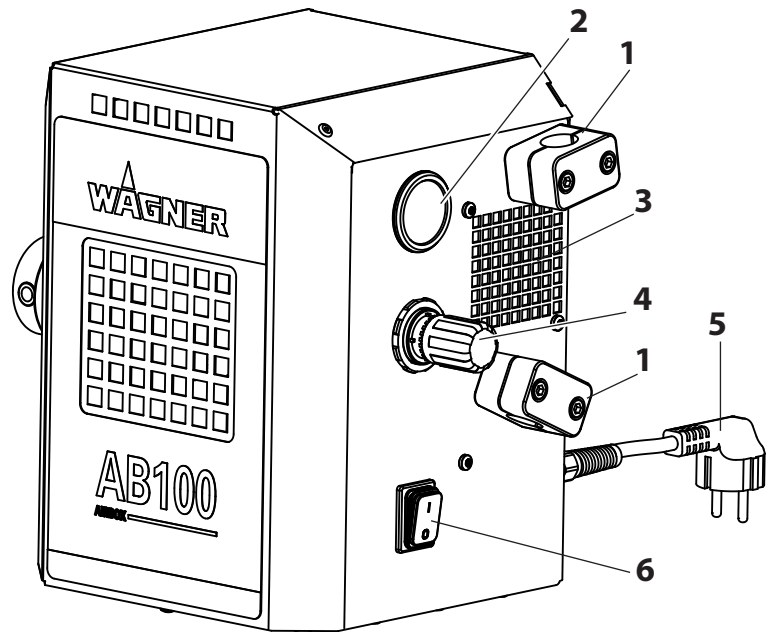
### 2.3 EXPLANATORY DIAGRAM

- 1 Attachment clips
- 2 Pressure gauge
- 3 Fan grille / fan filter
- 4 Pressure regulator
- 5 Power plug
- 6 ON/OFF switch
- 7 Air hose connection
- 8 Air filter cover

### 2.4 TECHNICAL DATA

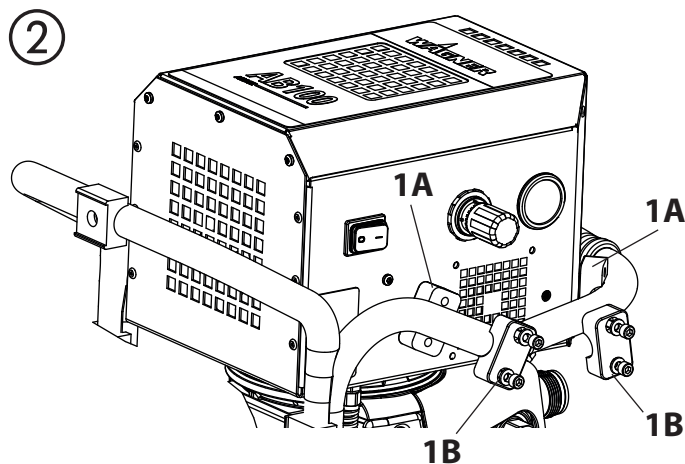
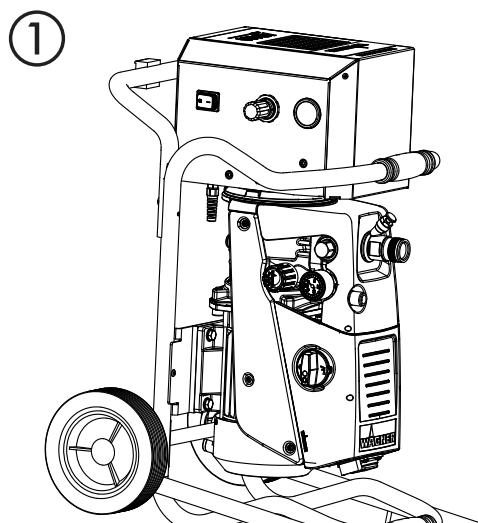
Voltage:	230 Volt ~, 50 Hz
Rated input of device:	480 W
Max. operating pressure :	0.4 MPa (4 bar)
Unit connecting line :	1 m long, 3x1 mm <sup>2</sup>
Connecting thread for compressed air hose:	G 1/4" (BSP)
Degree of protection:	IP 44
Max. volume flow :	100 nl/min
Ambient conditions:	-5 °C to + 40 °C
Max. sound pressure level :	65 dB (A)*
Weight:	13 kg
Dimensions (w x l x h)	220 x 205 x 290 mm

\*Place of measurement: 1 m distance from unit and 1.60 m above floor, 0.4 MPa (4 bar) operating pressure, reverberant floor



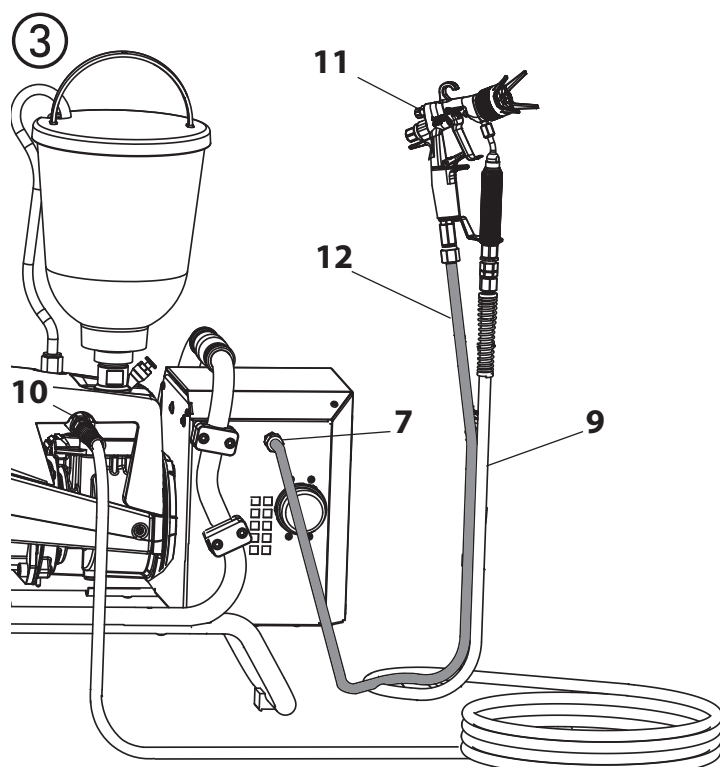
## 3 ASSEMBLY

1. Put the Super Finish 23 Plus in a vertical position.
2. Place the AirBoost 100 on top of the front lid. (Fig. 1)
3. Push the lower section of the attachment clips (fig. 2, 1A) over the screw holes in the housing.
4. Screw the AirBoost 100 to the frame of the SF 23 Plus via the upper part of the attachment clips (fig. 2, 1B).
5. Connect the plug to the rear side of the SF 23 PLUS.
6. Secure the power cable to the frame using the provided cable ties to do so.




## 4 STARTUP

1. Mount the double hose (accessory). Do this by screwing the high pressure hose (fig. 3, 9) to the material outlet (10) of the device and screwing the other end to the spray gun (11) tightly.
2. Screw the compressed air hose (12) to the air hose connection (7) of the AirBoost 100. Screw the other end of the compressed air hose to the spray gun.
3. Switch the AirBoost 100 on.
4. Set the required air pressure at the pressure regulator of the AirBoost.
5. Set the required material pressure at the pressure regulator valve on the SF23 PLUS.



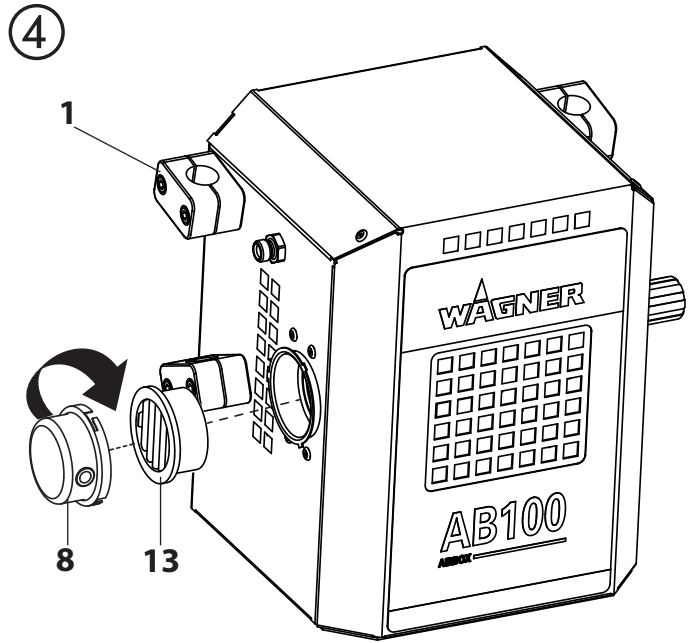
**5 SERVICING**

	<p>Regularly check the air filter.  <b>Have all other maintenance and repair work carried out only by Wagner Service.</b></p>
--	---

1. Remove the air filter cover (fig. 4, 8).
2. Pull out the air filter (13) and clean or replace as necessary.
3. Remount the air filter and air filter cover.

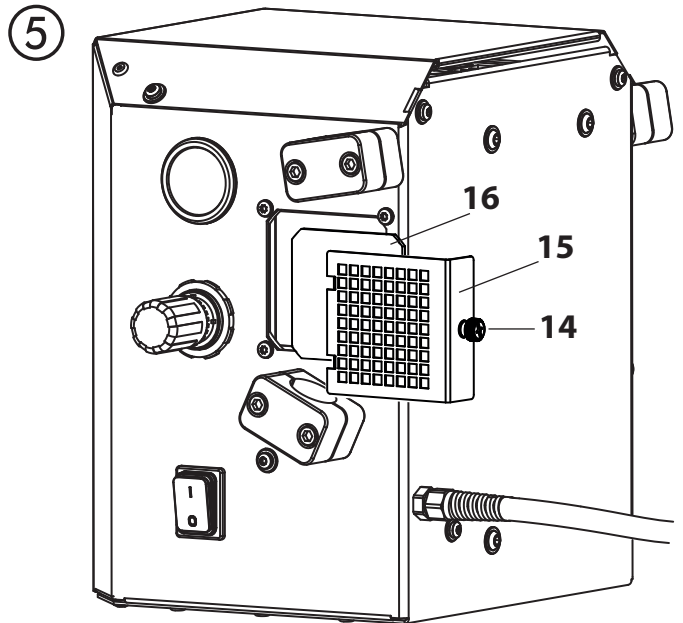
**Ventilator**

1. Loosen the screw (fig. 5, 14) and remove the fan grille (15).
2. Remove the fan filter (fig. 5, 16), check it and replace as necessary.
3. Remount the fan filter and fan grille.



**6 SPARE PARTS (FIG. 4 AND 5)**

ITEM	ORDER NO.	DESIGNATION
1	2351462	Attachment clips incl. screws
13	2348863	Air filter
15	2351368	Fan grille
16	2351461	Fan filter





## TESTING OF THE UNIT

For safety reasons, we would recommend having the device checked by an expert as required but at least every 12 months to ensure that it can continue to operate safely.

In the case of unused devices, the check can be postponed until they are next started up.

All (potentially deviating) national inspection and maintenance regulations must also be observed.

If you have any questions, please contact the customer service team at Wagner.

## IMPORTANT INFORMATION ON PRODUCT LIABILITY

According to an EU directive, the manufacturer is only liable without limitation for faults in the product if all parts come from the manufacturer or have been approved by the manufacturer and have been mounted to the device and are operated properly. If third-party accessories or spare parts are used, the manufacturer is exonerated wholly or partly from his/her liability if use of the third-party accessories or spare parts have caused a defect in the product. In extreme cases, the relevant authorities can completely prohibit using the entire device.

With original WAGNER accessories and spare parts, compliance with all safety regulations is guaranteed.

## NOTE ON DISPOSAL

In observance of the European Directive 2002/96/EC on waste electrical and electronic equipment and implementation in accordance with national law, this product is not to be disposed of together with household waste material but must be recycled in an environmentally friendly way!



Wagner or one of our dealers will take back your used Wagner waste electrical or electronic equipment and will dispose of it for you in an environmentally friendly way. Please ask your local Wagner service centre or dealer for details or contact us direct.

## GUARANTEE DECLARATION

(Status 01.02.2009)

### 1. Scope of guarantee

All Wagner professional colour application devices (hereafter referred to as products) are carefully inspected, tested and are subject to strict checks under Wagner quality assurance. Wagner exclusively issues extended guarantees to commercial or professional users (hereafter referred to as "customer") who have purchased the product in an authorised specialist shop, and which relate to the products listed for that customer on the Internet under [www.wagner-group.com/profi-guarantee](http://www.wagner-group.com/profi-guarantee).

The buyer's claim for liability for defects from the purchase agreement with the seller as well as statutory rights are not impaired by this guarantee.

We provide a guarantee in that we decide whether to replace or repair the product or individual parts, or take the device back and reimburse the purchase price. The costs for materials and working hours are our responsibility. Replaced products or parts become our property.

### 2. Guarantee period and registration

The guarantee period amounts to 36 months. For industrial use or equal wear, such as shift operations in particular, or in the event of rentals it amounts to 12 months.

Systems driven by petrol or air are also guaranteed for a 12 month period.

The guarantee period begins with the day of delivery by the authorised specialist shop. The date on the original purchase document is authoritative.

For all products bought in authorised specialist shops from 01.02.2009 the guarantee period is extended to 24 months providing the buyer of these devices registers in accordance with the following conditions within 4 weeks of the day of delivery by the authorised specialist shop.

Registration can be completed on the Internet under [www.wagner-group.com/profi-guarantee](http://www.wagner-group.com/profi-guarantee).

The guarantee certificate is valid as confirmation, as is the original purchase document that carries the date of the purchase. Registration is only possible if the buyer is in agreement with having the data being stored that is entered during registration.

When services are carried out under guarantee the guarantee period for the product is neither extended nor renewed.

Once the guarantee period has expired, claims made against the guarantee or from the guarantee can no longer be enforced.

### 3. Handling

If defects can be seen in the materials, processing or performance of the device during the guarantee period, guarantee

claims must be made immediately, or at the latest within a period of 2 weeks.

The authorised specialist shop that delivered the device is entitled to accept guarantee claims. Guarantee claims may also be made to the service centres named in our operating instructions. The product has to be sent without charge or presented together with the original purchase document that includes details of the purchase date and the name of the product. In order to claim for an extension to the guarantee, the guarantee certificate must be included.

The costs as well as the risk of loss or damage to the product in transit or by the centre that accepts the guarantee claims or who delivers the repaired product, are the responsibility of the customer.

#### 4. Exclusion of guarantee

Guarantee claims cannot be considered

- for parts that are subject to wear and tear due to use or other natural wear and tear, as well as defects in the product that are a result of natural wear and tear, or wear and tear due to use. This includes in particular cables, valves, packaging, jets, cylinders, pistons, means-carrying housing components, filters, pipes, seals, rotors, stators, etc. Damage due to wear and tear that is caused in particular by sanded coating materials, such as dispersions, plaster, putty, adhesives, glazes, quartz foundation.
- in the event of errors in devices that are due to non-compliance with the operating instructions, unsuitable or unprofessional use, incorrect assembly and/or commissioning by the buyer or by a third party, or utilisation other than is intended, abnormal ambient conditions, unsuitable coating materials, unsuitable operating conditions, operation with the incorrect mains voltage supply/frequency, over-operation or defective servicing or care and/or cleaning.
- for errors in the device that have been caused by using accessory parts, additional components or spare parts that are not original Wagner parts.
- for products to which modifications or additions have been carried out.
- for products where the serial number has been removed or is illegible
- for products to which attempts at repairs have been carried out by unauthorised persons.
- for products with slight deviations from the target properties, which are negligible with regard to the value and usability of the device.
- for products that have been partially or fully taken apart.

#### 5. Additional regulations.

The above guarantees apply exclusively to products that have been bought by authorised specialist shops in the EU, CIS, Australia and are used within the reference country.

If the check shows that the case is not a guarantee case, repairs are carried out at the expense of the buyer.

The above regulations manage the legal relationship to us conclusively. Additional claims, in particular for damages and losses of any type, which occur as a result of the product or its use, are excluded from the product liability act except with regard to the area of application.

Claims for liability for defects to the specialist trader remain unaffected.

German law applies to this guarantee. The contractual language is German. In the event that the meaning of the German and a foreign text of this guarantee deviate from one another, the meaning of the German text has priority.

J. Wagner GmbH  
 Division Professional Finishing  
 Otto Lilienthal Strasse 18  
 88677 Markdorf  
 Federal Republic of Germany

Subject to modifications · Printed in Germany